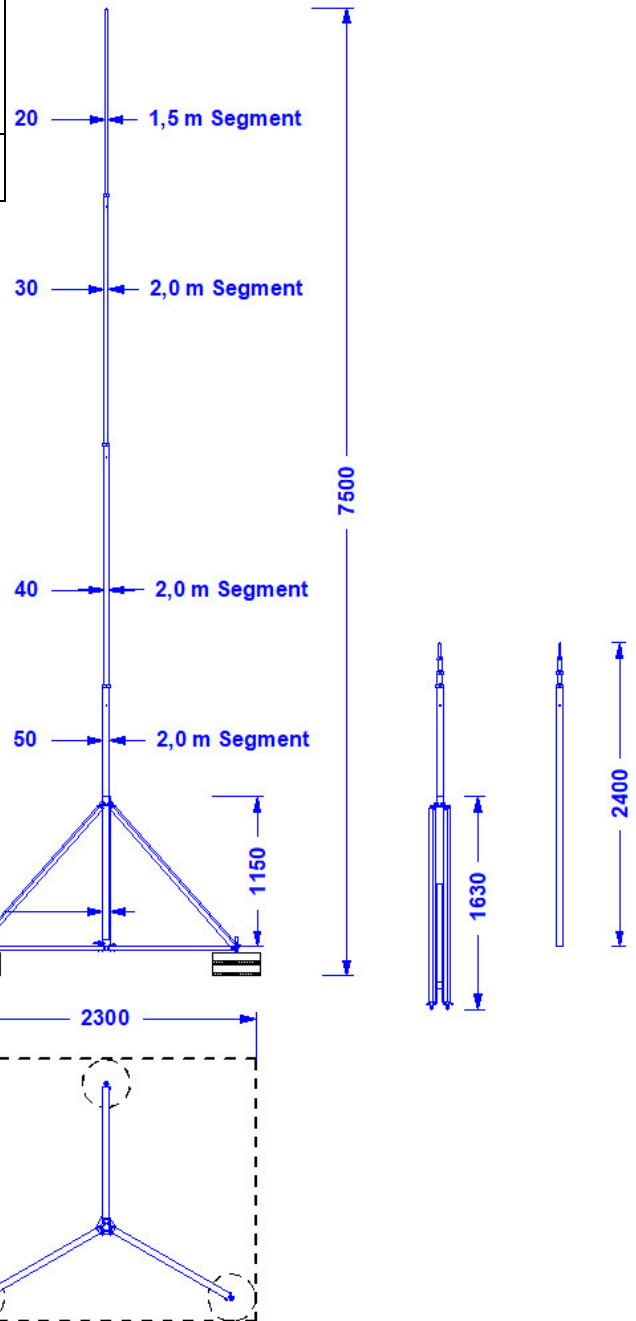


Specification	Teleskop air termination mast with 3- leg support QR System made of stainl. steel. spread width 2,0 m. With 3 threaded pieces made of stainl. steel. Height of the mast: 7,5m. Weight: 34,5 kg, System weight 137 kg For wind speed zone I – II For ground category III- IV (max. gust speed 145 km/h)
Article No.	84 11 27

Customs tariff No.: 85389099

The concrete bases and the protective plates are not part of the product.

Transport length: 2,3m



The mast can be erected with 1 person WITHOUT a crane !



Description	Ø	Material	Length	Windlast	Remarks
Mast main tube 1	50,0mm	Stainless steel tube 1.4301	2,00m	Wind speed zone I-II, ground category III-IV (accord. to Euro Code 1 as well as DIN EN 1991 and DIN EN 1993. At 1,5-fold safety). Max. gust speed 145 km/h. Applicable for building heights below 40m and area heights below 600m above NN. Higher buildings or areas as well as icing and self-oscillation are to be considered. separately if necessary.	<ol style="list-style-type: none"> All connections are made of stainless steel V2A. The concrete bases and the respective protective pads are not part of the product. System-weight including the concrete bases: 137 kg. Surface loading rate: 29 kg/m² Slope compensation up to 5 degrees possible. Weight of the mast 14 kg. Weight of the stand 18,5 kg.
Mast main tube 2	40,0mm	Stainless steel tube 1.4301	2,00m		
Mast main tube 3	30,0mm	Stainless steel tube 1.4301	2,00m		
Mast tip	20,0mm	Edelstahlstangen 1.4301	1,50m		
Stand segments		Support segments: Out of tape 100 mm x 2,5mm Foot segments: Out of tape 90 x 2,5mm Stainless steel 1.4301	Support segments: 1500mm Foot segments: 1127mm		
Stand central tube	54,0mm x 1,5 mm	Stainless steel tube 1.4301	1150 mm		