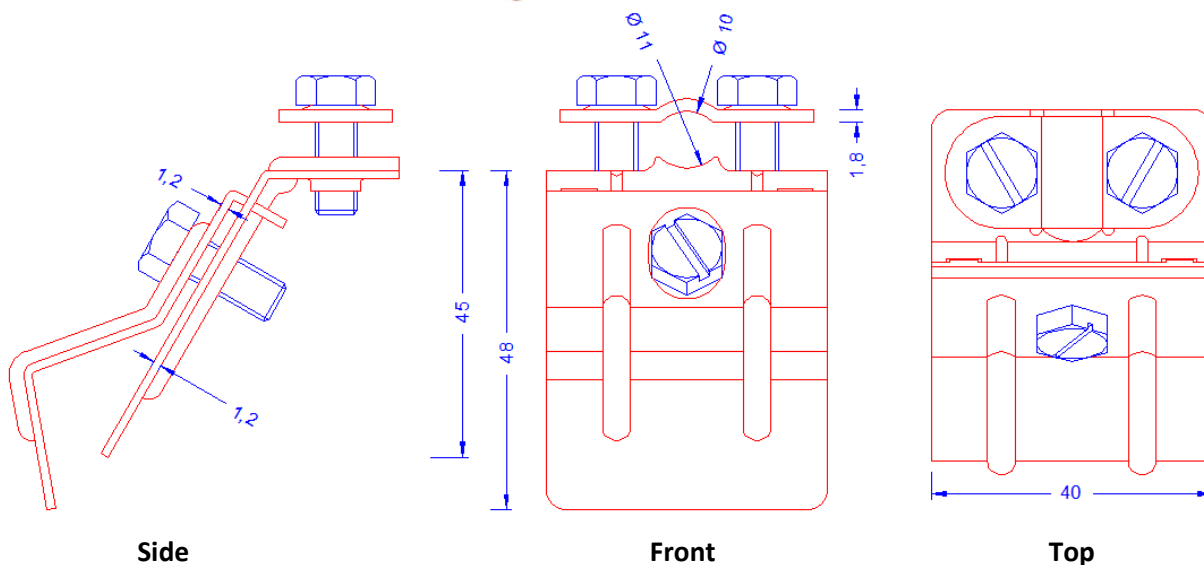
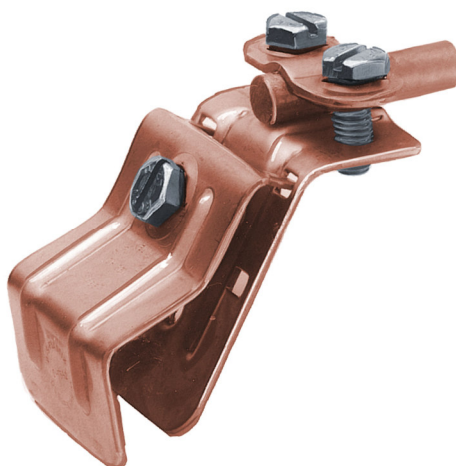


Specification	Gutter clamp for 6-10mm with one-screw V-shaped bolster bracket, with two-screw saddle. Weight: 78g Reference Standard: DINEN50164-1+DIN48809B
Article No.	39 11 20

Customs tariff No.: 85389099



Note:

1. Can also be mounted from below onto the gutter by means of two latching.
2. **Tested in accordance with EN 50164-1 for 100 kA.**

Description	RoHS2 (Guideline 2011/65/EU) and REACH (Regulation (EG) No.1907/2006): The substance-requirements and all other requirements of this regulations are observed by this product.
Material of the clamp	Copper
Screws	3 x DIN933M6X16 stainless steel. Max. tightening torque 5 N m.
For gutter-bolster	16-22mm Ø
Conductor pick-up	6-10mm Ø