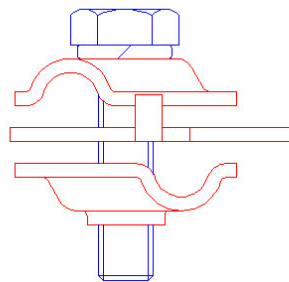
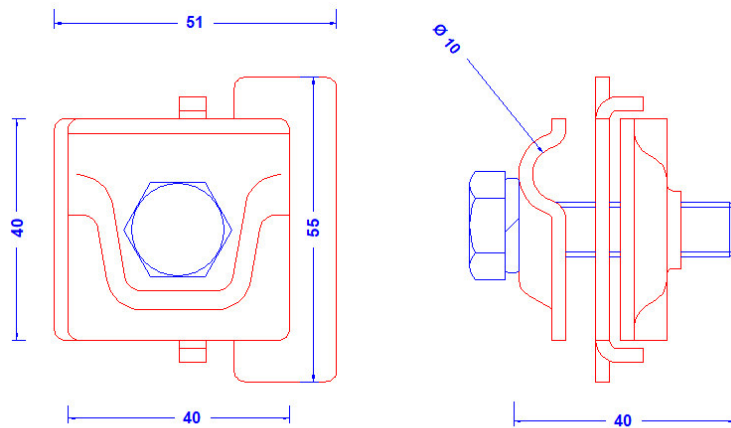
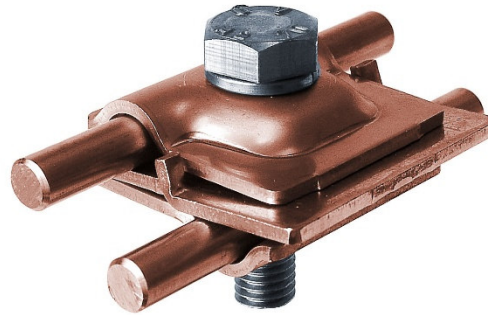


Specification	Multipurpose clamp for 8-10mm Conductor. With the possibility for sheet metal connection. Copper. Thread in the lower part. Weight: 166 g Reference Standard: DIN EN 62561-1
Article No.	42 12 20

Customs tariff number.: 85389099



Used for example as a T-, parallel or cross-clamp.

Description	RoHS2 (Guideline 2011/65/EU) and REACH (Regulation (EG) No.1907/2006): The substance-requirements and all other requirements of this regulations are observed by this product.
Material of the clamp Conductor leading Sheet metal connection Screw connection (all stainless steel) Remarks	Copper 2 x 10mm conductors parallel or crossed. For sheets 0.7 - 10 mm thick with a contact area of 10 cm² Screw: DIN933M10X40, spring washer: 10mm The upper part of the clamp has a 4-square hole measuring 11 x 11 mm. The lower part has an M10 thread.