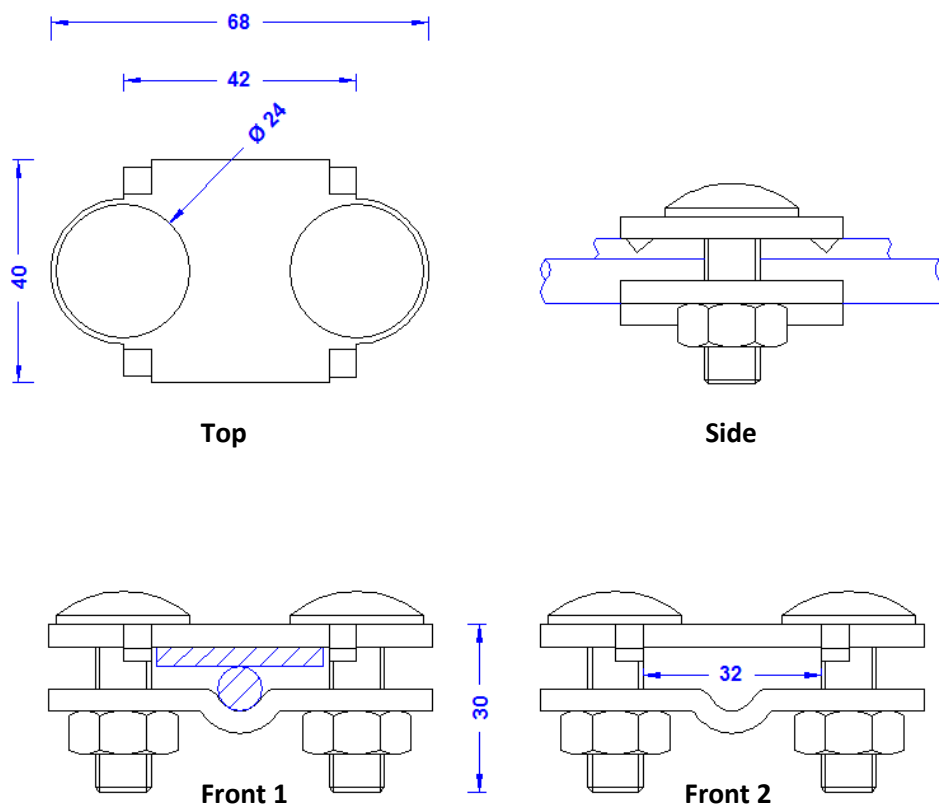
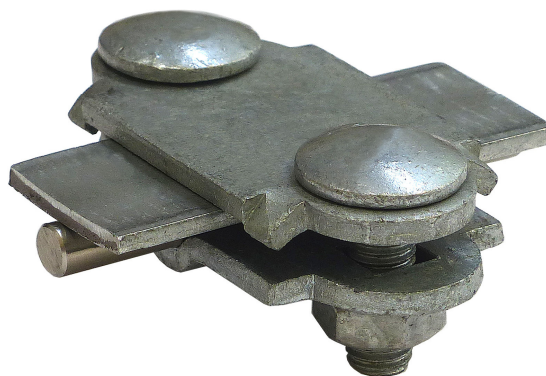


<b>Specification</b>	<b>Connecting-disconnecting clamp, for connection of tape till 30mm with round conductor 8-10mm Ø. Steel, hot-dip galvanized.</b> <b>Weight: 224g</b> <b>Reference standard DIN EN 62561-1</b>
<b>Article No.</b>	<b>49 12 40</b>

Customs tariff No.: 85389099



<b>Description</b>	
<b>Material of the clamp</b>	<b>Steel, hot-dip galvanized</b>
<b>Screws/Nuts</b>	<b>2 x DIN933M10X30 Steel, hot-dip galvanized</b>
<b>Conductor pick-up</b>	<b>1 x tape till 30mm and 1 x round conductor 8-10mm Ø.</b>