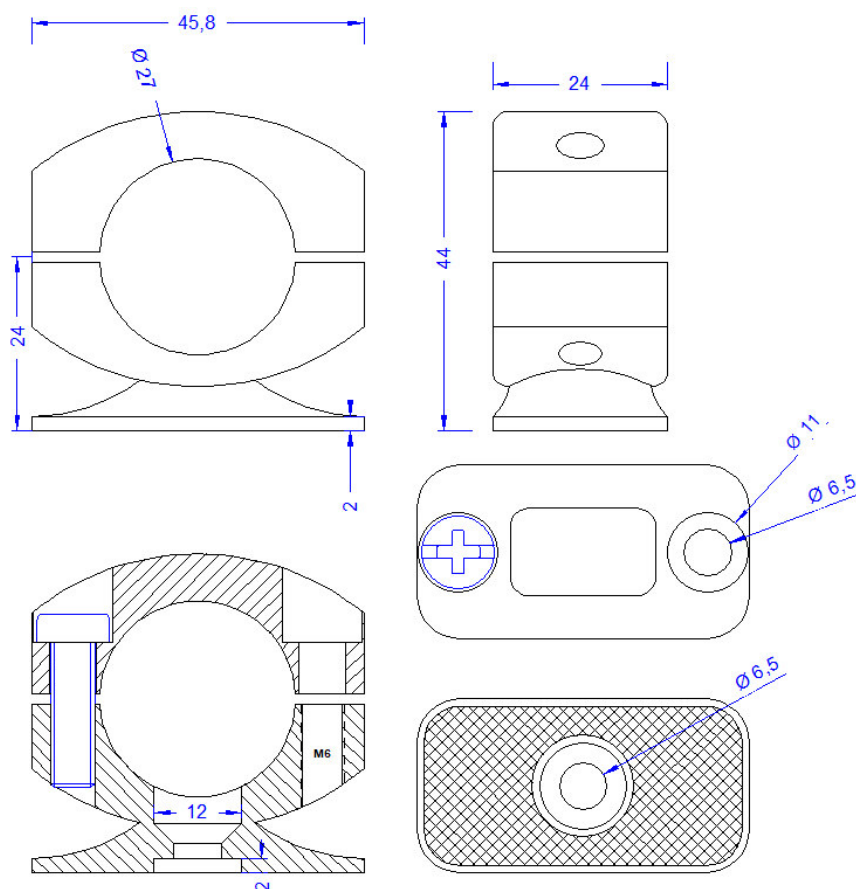


|                      |   |
|----------------------|---|
| <b>Specification</b> | <p>Tube clamp for cable with 27mm <math>\varnothing</math> with a rippled bottom plate 45x24mm, with a hole 6,2mm, with two stainless steel screws M6.<br/> <b>Weight: 33g</b><br/> <b>Reference standard: DIN EN 62561-4</b></p> |
| <b>Article No.</b>   | <b>61 01 15</b>   |

Customs tariff No.: 85389099



|                    |  |
|--------------------|--|
| <b>Description</b> | <p><b>RoHS2 (Guideline 2011/65/EU) and REACH (Regulation (EG) No.1907/2006):</b><br/> The substance-requirements and all other requirements of these regulations are observed by this product.</p> |
| <b>Holder</b>      | <p>Tube clamp for cable with 27mm <math>\varnothing</math> with a rippled bottom plate 45x24mm, with a hole 6,2mm</p>  |
| <b>Screws</b>      | <p>2 x DIN84M6X20 stainless steel</p>  |
| <b>Material</b>    | <p>Polyamide, grey. Colour No. RAL 7000. UV- and heat stabilized, cold impact resistant. Halogen free.</p>   |