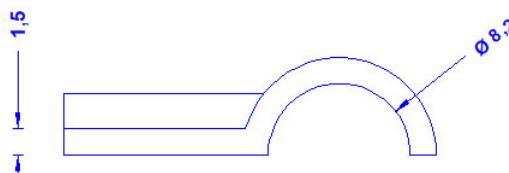
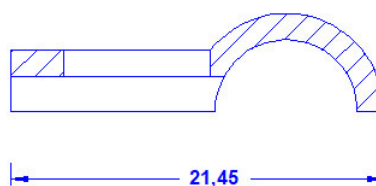
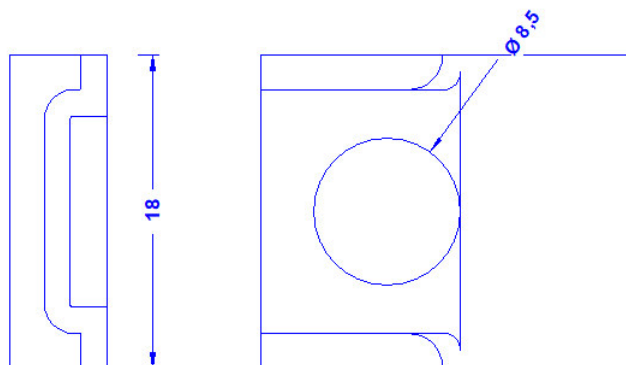


<b>Specification</b>	Clamp for 8mm conductor, with an 8.5mm hole for 6-8mm push-through dowels. Stainless steel. Weight:4 g Reference standard: DIN EN 62561-4
<b>Article No.</b>	<b>60 19 10</b>

Customs tariff No.: 85389099



<b>Description</b>	RoHS2 (Guideline 2011/65/EU) and REACH (Regulation (EG) No.1907/2006): The substance-requirements and all other requirements of these regulations are observed by this product.
<b>Überleger</b>	Clamp for 8mm conductor, with an 8.5mm hole for 6-8mm push-through dowels. Stainless steel.1.4301