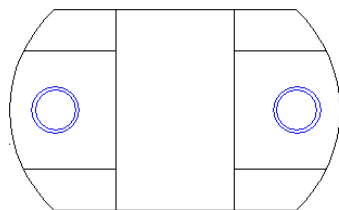
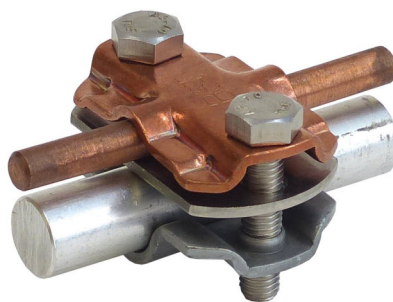
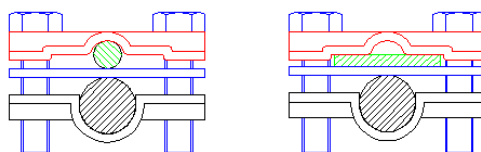


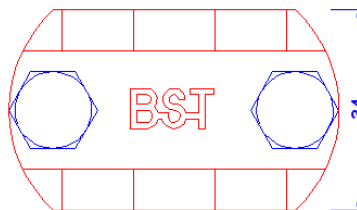
<b>Specification</b>	<p><b>Two-metal Connecting-disconnecting clamp for the connection: See below. With intermediate plate. Copper, stainless steel and galvanized steel.</b></p> <p><b>Weight: 151g</b></p> <p><b>Reference standard DIN EN 62561-1</b></p>
<b>Article No.</b>	<b>49 60 31</b>

Customs tariff No.: 85389099

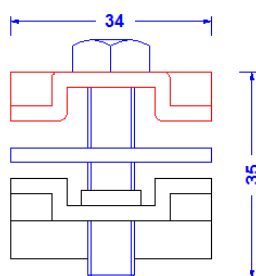
**Configuration options:**



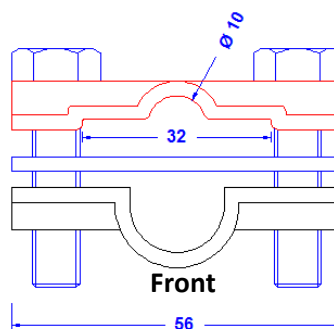
**Top**



**Bottom**



**Side**



**Front**

<b>Description</b>	RoHS2 (Guideline 2011/65/EU) and REACH (Regulation (EG) No.1907/2006): The substance-requirements and all other requirements of these regulations are observed by this product.
<b>Material of the clamp</b>	<b>Copper (upper part), stainless steel 1.4301 (intermediate plate) and hot dip galvanized steel (lower part).</b>
<b>Screws</b>	<b>2 x DIN933M8X35 stainless steel.</b>
<b>Pick up flat/round conductor</b>	<b>1 x Ø 8-10mm and 1 x flat conductor till 30mm or 1 x flat conductor till 30mm and 1 x rod Ø 16mm or 1 x Ø 8-10mm and 1 x rod Ø 16mm</b>