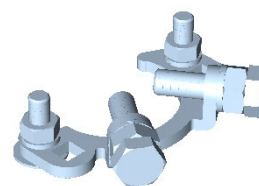
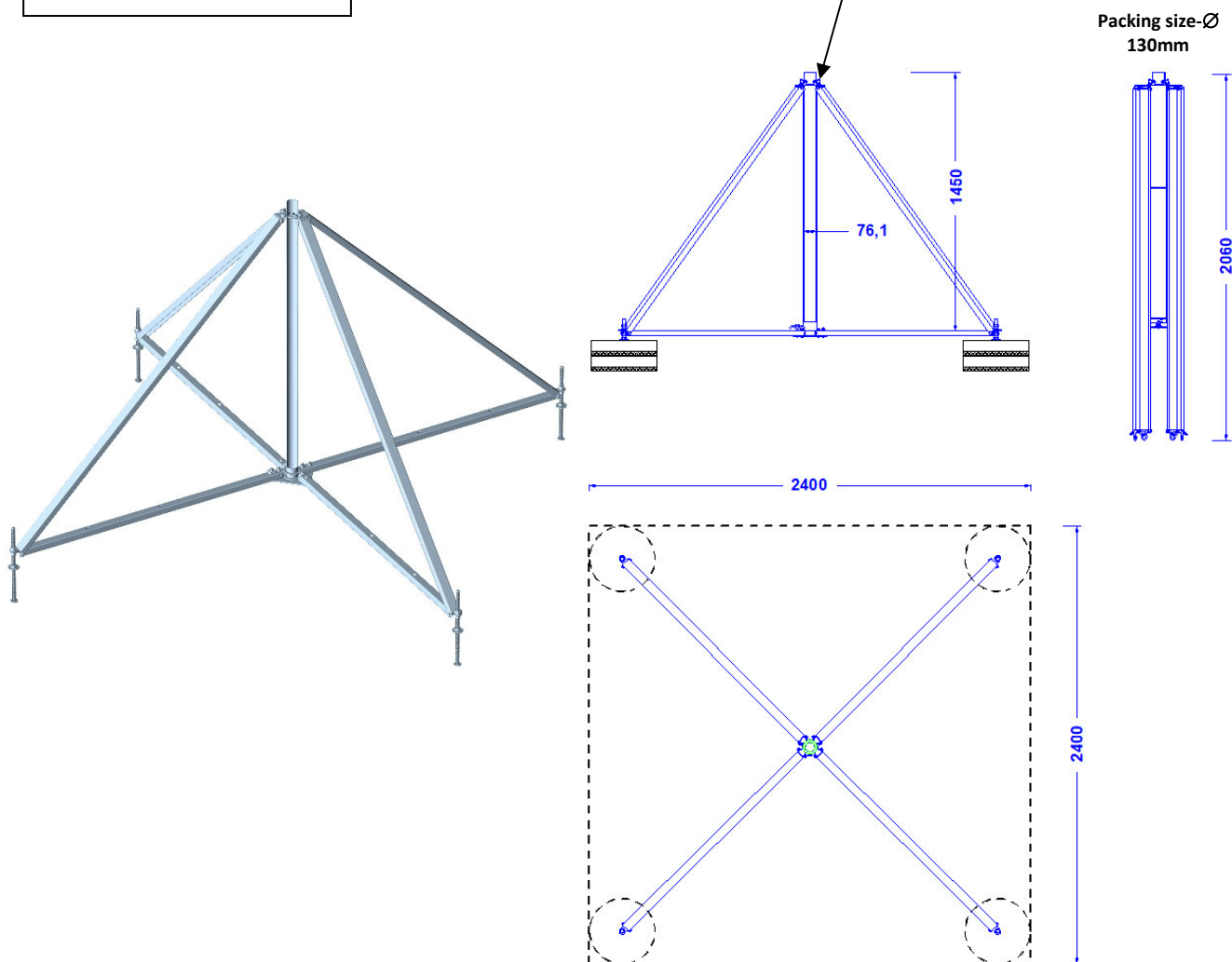


Specification	QR-air termination support for a free standing mounting on concrete bases. With 4 security bars, for mast 70mm Ø, 1450mm height. With 4 threaded pieces. Stretched width 2,5m. Foldable. Stainless steel. Weight: 17,5 kg System weight: 154 kg (with concrete bases)
Article No.	QR 90 79

Customs tariff no.: 85389099



Mast securing



Description	
Connection	Double clamp for 8-10mm conductor out of stainless steel 1-4301
Mast securing	For tube 70/76mm Ø, to be installed after the setup of the air terminal support, with two screws and nuts M10 out of stainless steel 1.4301.
Air terminal support central tube	Tube Ø 76,0mm outside and 70,0mm inside. 1450mm height. With two welded rosettes and one gliding rosette. All stainless steel 1-1301. Open on one side to insert the air terminal mast after the setup of the air terminal support.
Air terminal support segments	4 x foot segment 1420mm long and 4 x security bars 1525mm long All stainless steel 1-4301
Bolting of the segments (all stainless steel)	Screws: 10 x DIN603M10; 8 x DIN933M10. Nuts: 8 x DIN980M8; 19 x DIN934M10 19 x spring washer 10; 8 x pop rivet 6mm
Threaded pieces (all stainless steel)	4 x threaded piece M16 x 390mm with 2 nuts DIN934M16, 1 nuts DIN936M16Flach, 3 spring washer 16mm.