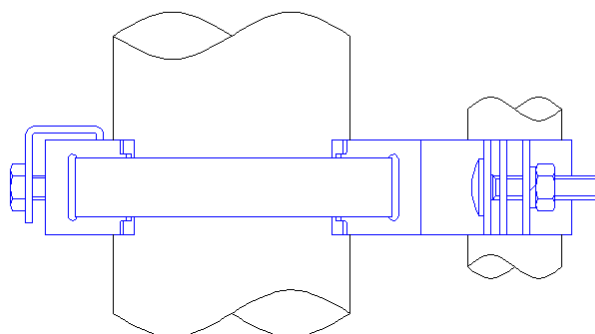
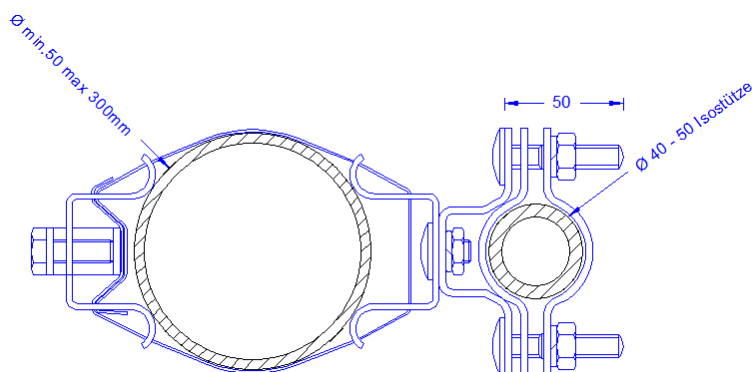
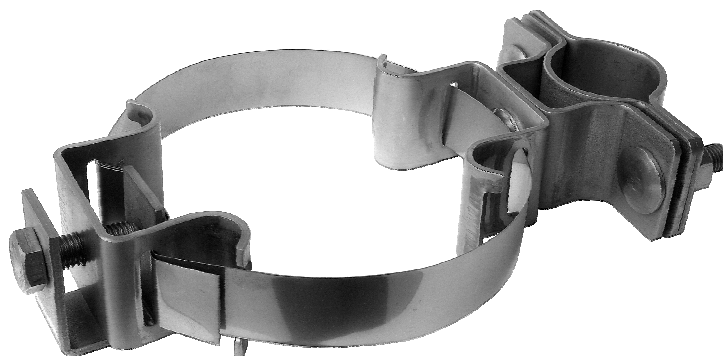


Specification	Tightening-strap-clamp with tightening strap, to fix masts with \varnothing 40-50mm to tubes with \varnothing of 50-300mm. Distance to the tube: 50mm. Stainless steel. Weight: 890g
Article No.	68 01 08

Customs tariff No.: 85389099

For the fixation of lightning protection masts. At least two clamps are needed (or more for higher masts).



Description	
Mast clamp	For masts with a \varnothing of 40 - 50mm. three-part, with two screws DIN603x50 and two nuts DIN934M10 in stainless steel. Clamp complete out of stainless steel 1.4301 40 x 3mm.
Tightening strap	Stainless steel 25x0,5mm 1.4571.
Clamp-lock and tape guide	Stainless steel 1.4301 40x2,5mm.
Clamping part	Stainless steel 1.4301 40 x 3mm
Turnbuckle	DIN 933 M10x30 stainless steel.