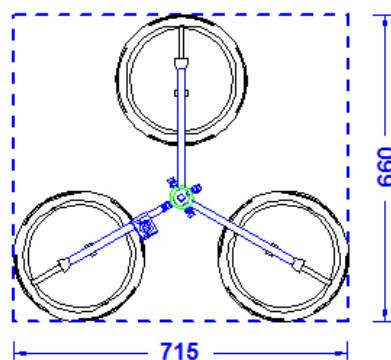
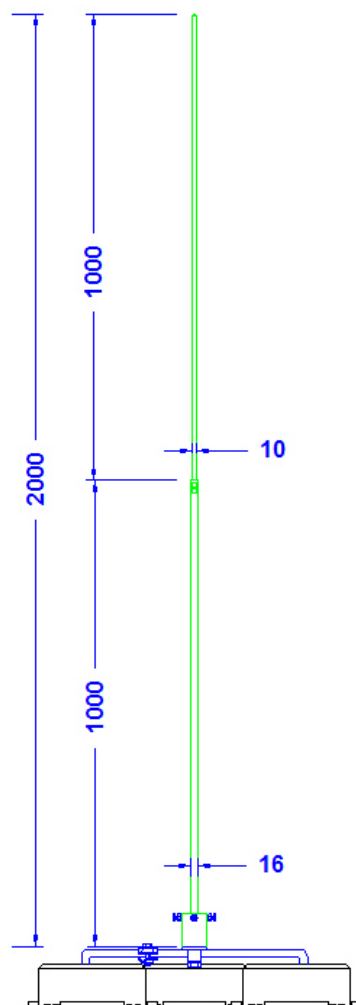
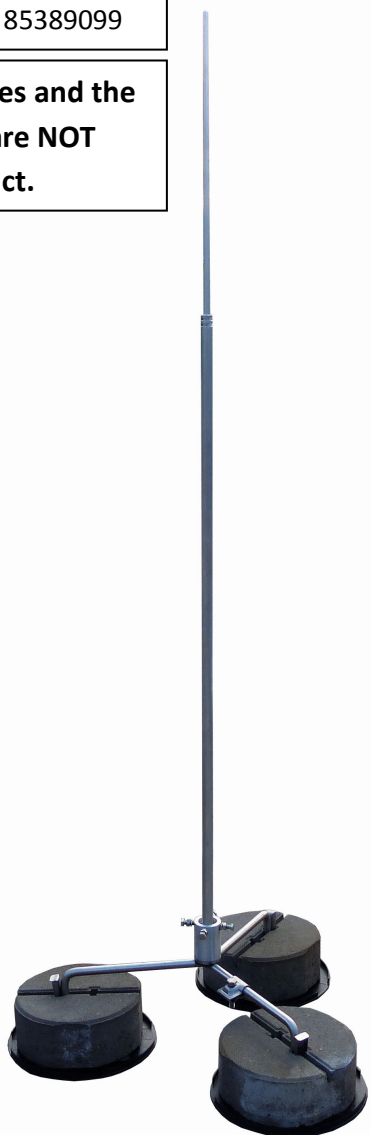


Specification	Aluminum air termination rod with welded stainless steel tripod for three concrete bases 8,5 kg. Height of the air termination rod: 2,0m. Weight: 2,8 kg System weight: 28,3 kg (incl. concrete bases) Calculated for wind speed zones I – IV For ground category III - IV
Article No.	48 62 86

Customs tariff No.: 85389099

The concrete bases and the protective pads are NOT part of the product.



Description	Ø	Material	Length	Wind speed zone	Remarks
Air termination rod	1,0m 16mm 1,0m 10mm	Aluminium AlMgSi 0,5	3,0m	Wind speed zone I-IV for ground category III – IV ((accord. to Euro Code 1 as well as DIN EN 1991 and DIN EN 1993. At 1,5-fold safety) with maximum gust velocity 175 km/h. Applicable for building heights below 40m und area heights below 600m above NN. Higher buildings or areas as well as icing and self-oscillation are to be considered separately if necessary.	<ol style="list-style-type: none"> All screw joints are made of stainless steel 1.4301. The concrete bases and the respective protective pads are not part of the product. System-weight including the concrete bases: 28,3 kg. Surface loading rate: 28,3 kg/m² Terminal clamp 8-10mm made of stailn.steel, attached. Technical changes reserved.
Stand segments		Stainless steel 16mm Ø			
Stand central tube	50mm Ø for rods 16-22mm Ø	Aluminium with four stainl.steel adjustment screws.	70mm		