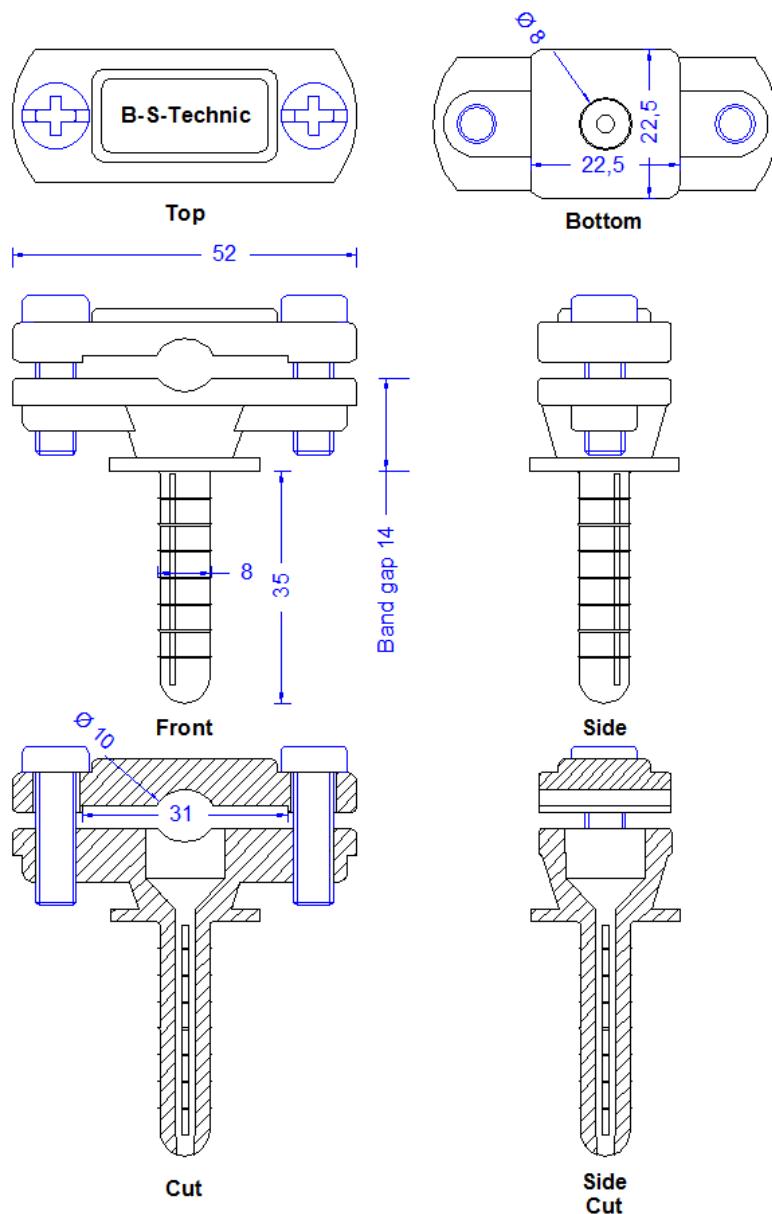


Specification	Nylon-Band-Holder grey, for flat conductor till 30 mm or round conductor till 11 mm with moulded screw anchor 8 x 35 mm. Polyamide, grey. Weight: 22g Reference Standard: DIN EN 62561-4
Article No.	18 06 15

Customs tariff number.: 85389099

processable on the roof till +50°C



Description	RoHS2 (Guideline 2011/65/EU) and REACH (Regulation (EG) No.1907/2006): The substance-requirements and all other requirements of this regulations are observed by this product.
Holder	Nylon-Band-Holder grey, for flat conductor till 30 mm or round conductor till 11 mm with moulded screw anchor 8 x 35 mm. Height 14 mm.
Screws	2 x DIN84 M6X16 stainless steel
Material	Polyamide . Color No. RAL7000. UV-stabilized to the highest possible degree, cold impact resistant, halogen free.