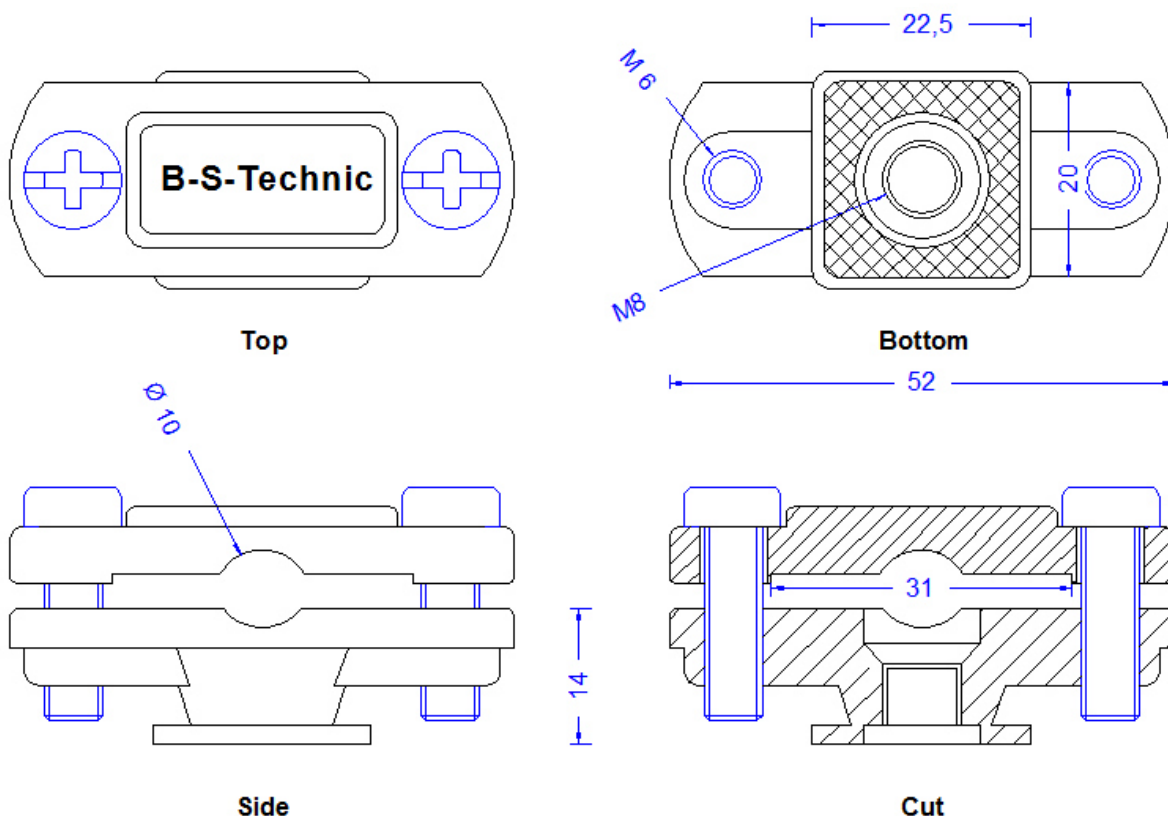
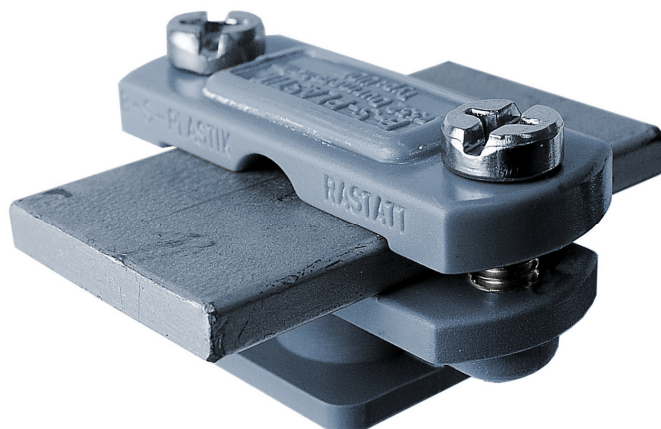


Specification	Nylon-Band-Holder grey, for flat conductor till 30 mm or round conductor till 11 mm with thread M8. Conductor space in between 14 mm. Fusion temperature: 220°C. Weight: 21g Reference Standard: DIN EN 50164-4
Article No.	18 02 15

Customs tariff number.: 85389099

processable on the roof till +50°C



Description	RoHS2 (Guideline 2011/65/EU) and REACH (Regulation (EG) No.1907/2006): The substance-requirements and all other requirements of this regulations are observed by this product.
Material	Polyamid colour RAL7000, UV- and heat-stabilized, cold impact resistant, halogen free.
Screws	2 x DIN84 M6X16 stainless steel