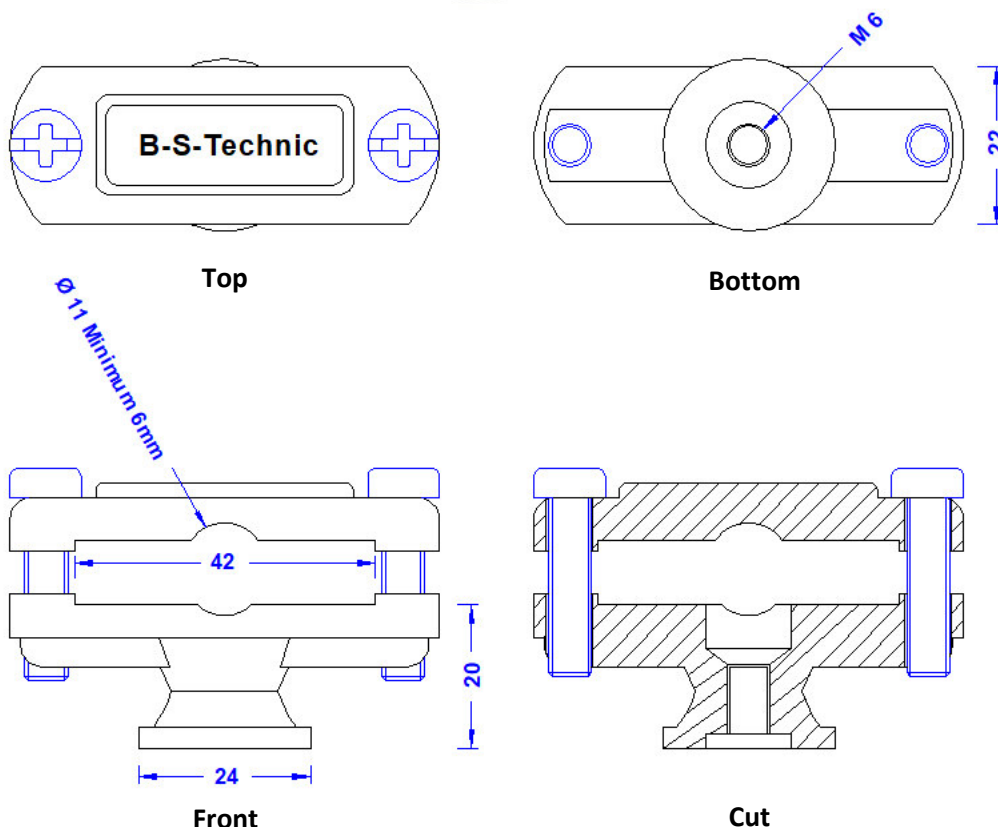
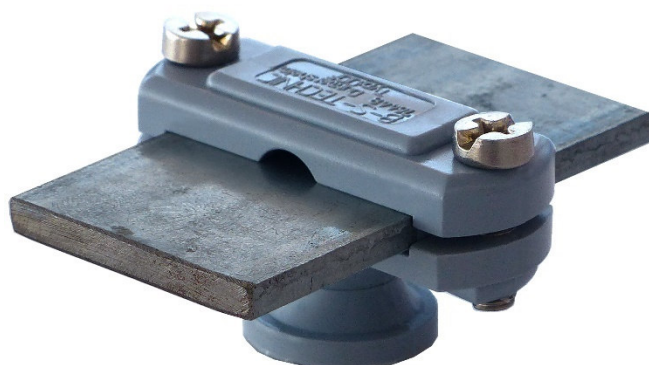


Specification	Nylon-Band-Holder grey, for flat conductor till 30mm or round conductor till 11mm with thread M6, conductor height 20mm. Melting point: 220°C. With round bottom 24mm Ø. Weight: 28g Reference standard: DIN EN 50164-4
Article No.	18 12 19

Customs tariff number.: 85389099

processable on the roof till +50°C



Description	RoHS2 (Guideline 2011/65/EU) and REACH (Regulation (EG) No.1907/2006): The substance-requirements and all other requirements of this regulations are observed by this product.
Material of the Holder	Polyamide, grey. UV-stabilized to the highest possible degree, cold impact resistant, halogen free.
Screws	2 x DIN84M6 stainless steel.