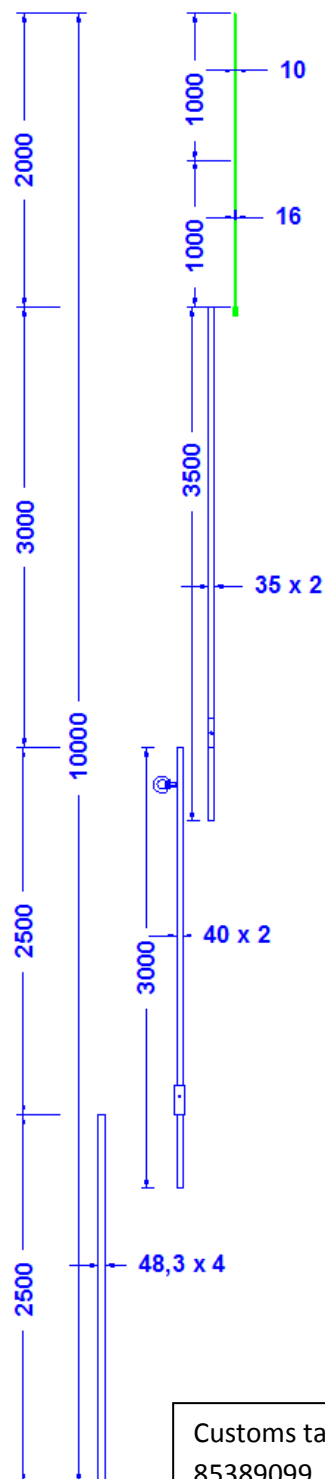


Specification	Stainless steel-air termination mast 10,0m height, 4-part. With 2,5m aluminum-tip. System weight : 30 kg
Article No.	48 32 39

Calculation basis:
 Accord. to DIN 1005, 4131, 18800.
 With 1,5-fold safety.
 Wind speed zone II
 Building height <= 40m
 Area height <= 600m NN

RoHS2 (Guideline 2011/65/EU) and REACH (Regulation (EG) No.1907/2006): The substance-requirements and all other requirements of this regulations are observed by this product.



Transport length: 3,0m

Customs tariff No.:
85389099

Description	RoHS2 (Guideline 2011/65/EU) and REACH (Regulation (EG) No.1907/2006): The substance-requirements and all other requirements of this regulations are observed by this product.
Mast tip	1m ALU-rod 16mm Ø; 1m ALU-rod 10mm Ø, press-fitted. All parts made of aluminum ALMGSI0,5.
Mast upper part	3,0m stainless-steel-tube (made of 1.4301) 35 x 2mm Ø, 2,5m stainless-steel-tube (made of 1.4301) 40 x 2mm Ø.
Mast lower part	2,5m stainless-steel-tube (made of 1.4301) 48,3 x 4mm Ø
Screws/spring washers (all stainless steel)	5 x hexagon head screw DIN933M8X10; 1 x ring screw M10 DIN580M10 / 5 x spring washer 8mm accord. to DIN127B8