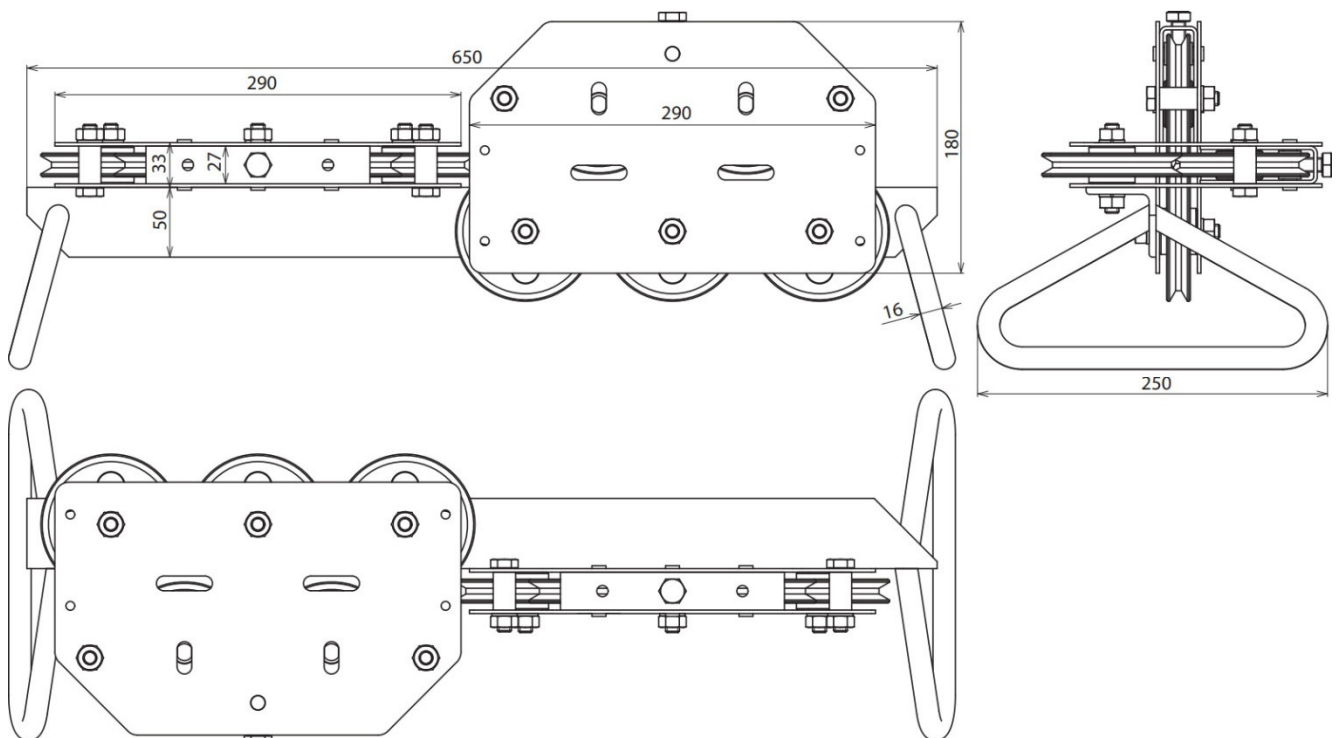


Specification	Wire straightener for 7-10mm Ø conductor, with two handles and 10 straightening rolls. Hot dip galvanized steel. Weight: 5,95 kg
Article No.	97 15 41

Customs tariff no.: 84622998



Description	RoHS2 (Guideline 2011/65/EU) and REACH (Regulation (EG) No.1907/2006): The substance-requirements and all other requirements of this regulations are observed by this product.
Material of the wire straightener	Hot dip galvanized steel.
For conductor	7-10mm