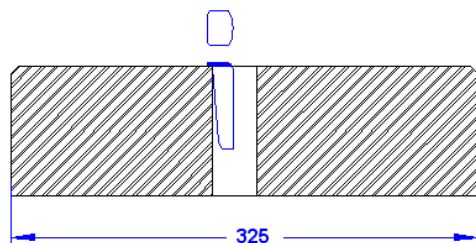
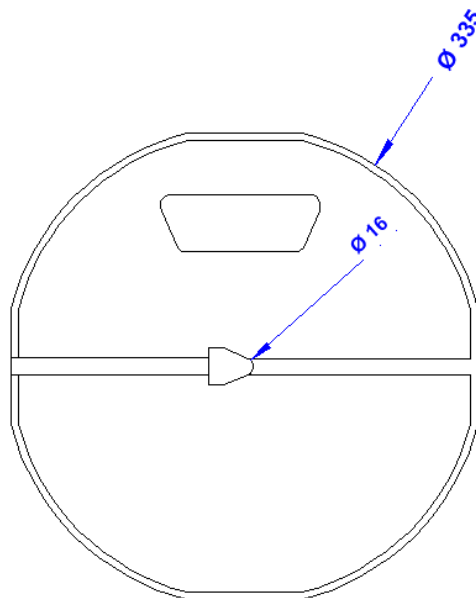


<b>Specification</b>	Concrete base with stainless steel wedge. Weight 17kg. For a lightning rod 16mm.
<b>Article No.</b>	48 03 00

Customs tariff No.: 85389099

Stainless steel wedge for the  
concrete base  
Article No. 48 03 02



<b>Description</b>	
<b>Weight</b>	17 kg
<b>Central intake</b>	16mm Ø
<b>Material</b>	Concrete (C45/55)
<b>Material of the wedge</b>	Stainless steel 1.4301