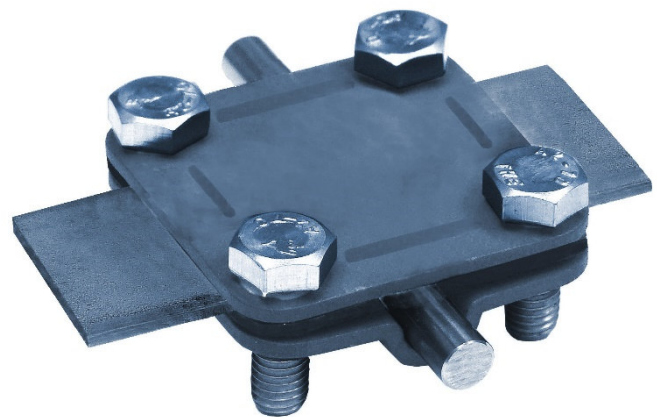
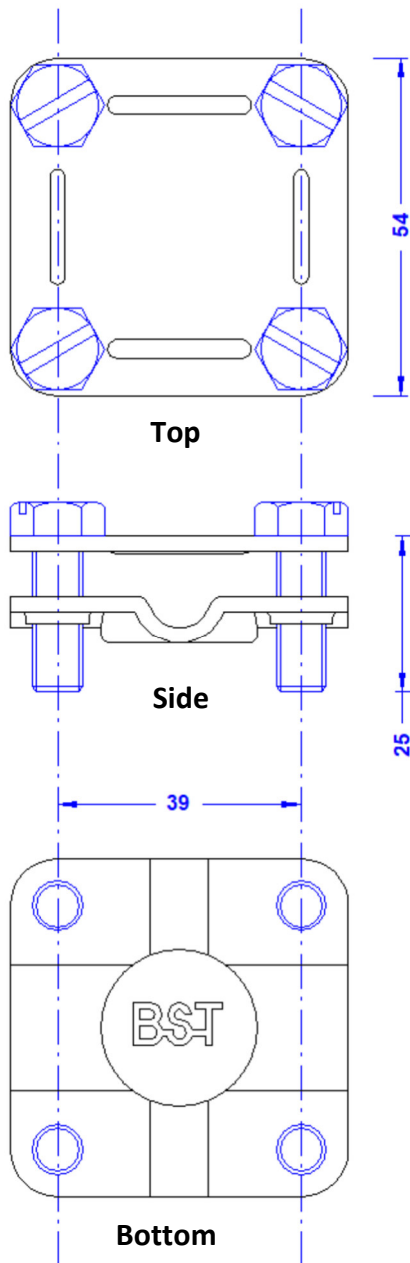


<b>Specification</b>	<p>Square clamp for 1 conductor 8-10mm, and 1 tape till 30mm. Without spacer plate. 4x thread M6 in the lower part. Hot dip galvanized steel. Weight: 130g Reference Standard: DIN EN 62561-1</p>
<b>Article No.</b>	<b>50 60 09</b>

Customs tariff No.: 85389099



<b>Description</b>	RoHS2 (Guideline 2011/65/EU) and REACH (Regulation (EG) No.1907/2006): The substance-requirements and all other requirements of these regulations are observed by this product.
<b>Material of the clamp</b>	<b>Steel, hot dip galvanized</b>
<b>Conductor leading</b>	<b>1 x conductor <math>\varnothing</math> 8-10mm; 1 x tape till 30mm or 2 x tape till 30mm.</b>
<b>Screws</b>	<b>4 x DIN933M6X20 stainless steel.</b>