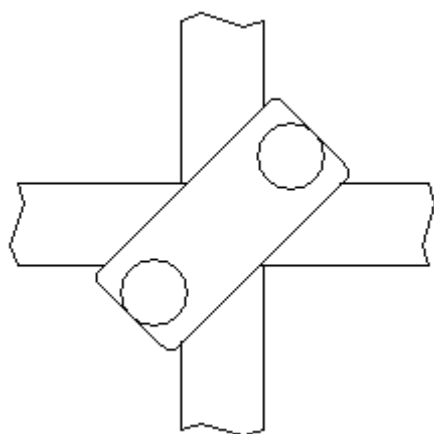
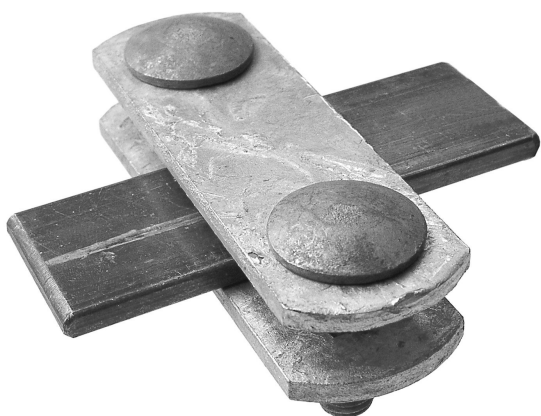
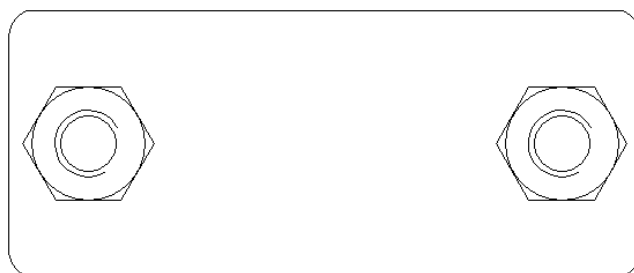


Specification	Connecting-disconnecting clamp, two part, for connection of tape till 40mm. Hot-dip galvanized steel. Weight: 323g Reference standard: DIN EN 62561-1
Article No.	49 32 40

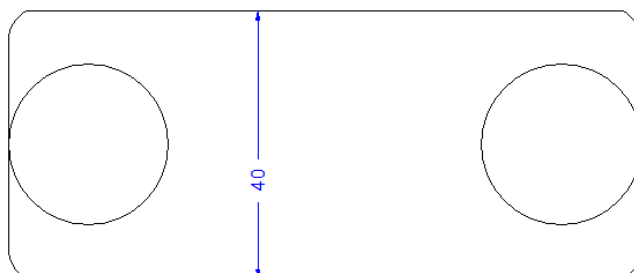
Customs tariff No.: 85389099



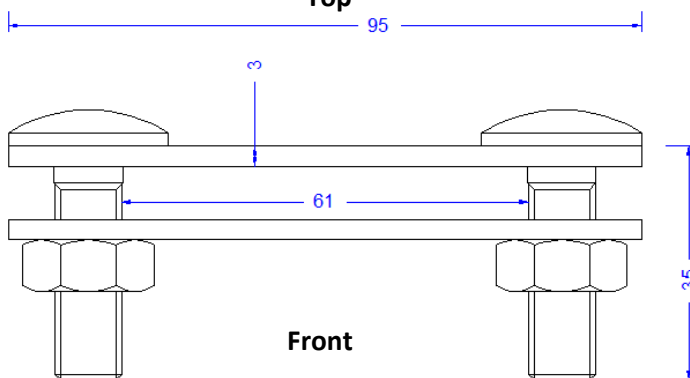
Example: Crossed conductors 30 mm



Bottom



Top



Front

Description	
Material of the clamp	Hot-dip galvanized steel
Screws/Nuts (all hot-dip galvanized steel)	DIN603M10X35, DIN934M10
Conductor pick-up	2 x till 40mm on top of each other or 2 x 30mm crossed.