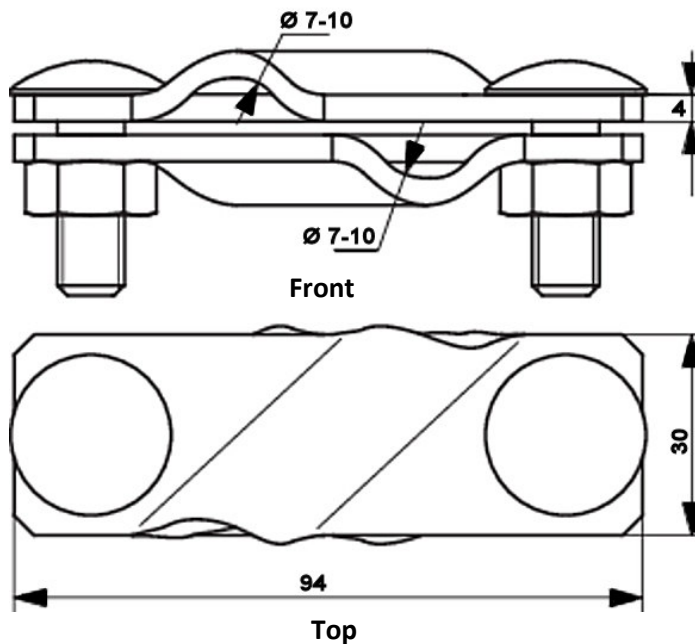


Description	Diagonal cross clamp, for 2x 8-10mm cond. and tape till 30mm, for above- and underground connections. Steel hot-dip galvanized. Weight: 235g Reference Standard DIN EN 62561-1
Article No.	49 43 40

Customs tariff No.: 85389099



Description	RoHS2 (Guideline 2011/65/EU) and REACH (Regulation (EG) No.1907/2006): The substance-requirements and all other requirements of these regulations are observed by this product
Material of the clamp	Steel hot-dip galvanized.
Screws /nuts (all hot dip galvanized steel)	2 x DIN603M10x30, 2 x DIN934M10
Take-up conductor	2 x 8-10mm
Take-up flat strip	Till 30mm