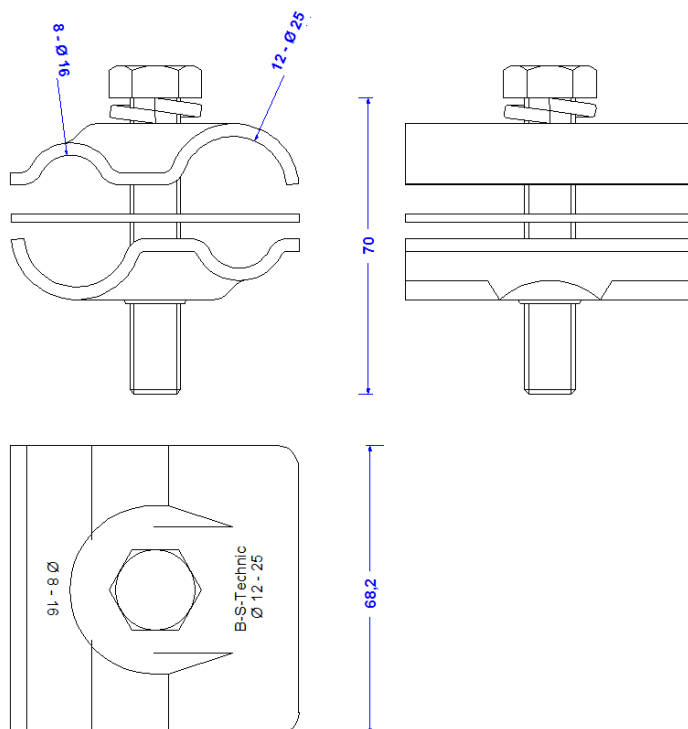
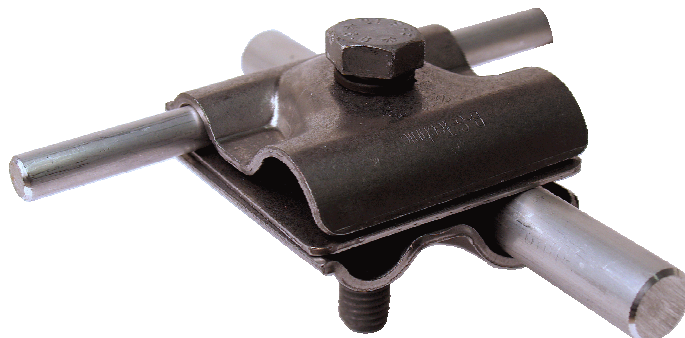


Specification	Maxi-multi-Purpose clamp for 8-10mm conductor and 12-25mm rod. non-galvanized steel. Weight: 300g Reference Standard: DIN EN 62561-1
Article No.	42 07 50

Customs tariff No.: 85389099



Description	RoHS2 (Guideline 2011/65/EU) and REACH (Regulation (EG) No.1907/2006): The substance-requirements and all other requirements of this regulations are observed by this product.
Material of the clamp	Steel ST37 DIN EN 10111 + 10051. non-galvanized.
Conductor leading	8-16mm conductor and 12-25mm rod
Screw connection	Screw: DIN933M12X70FE (hexagon screw non-galvanized steel.); spring washer: 12mm non-galvanized steel
Remarks	Upper part of the clamp with a square hole 13x13mm. Lower part with a thread M12.