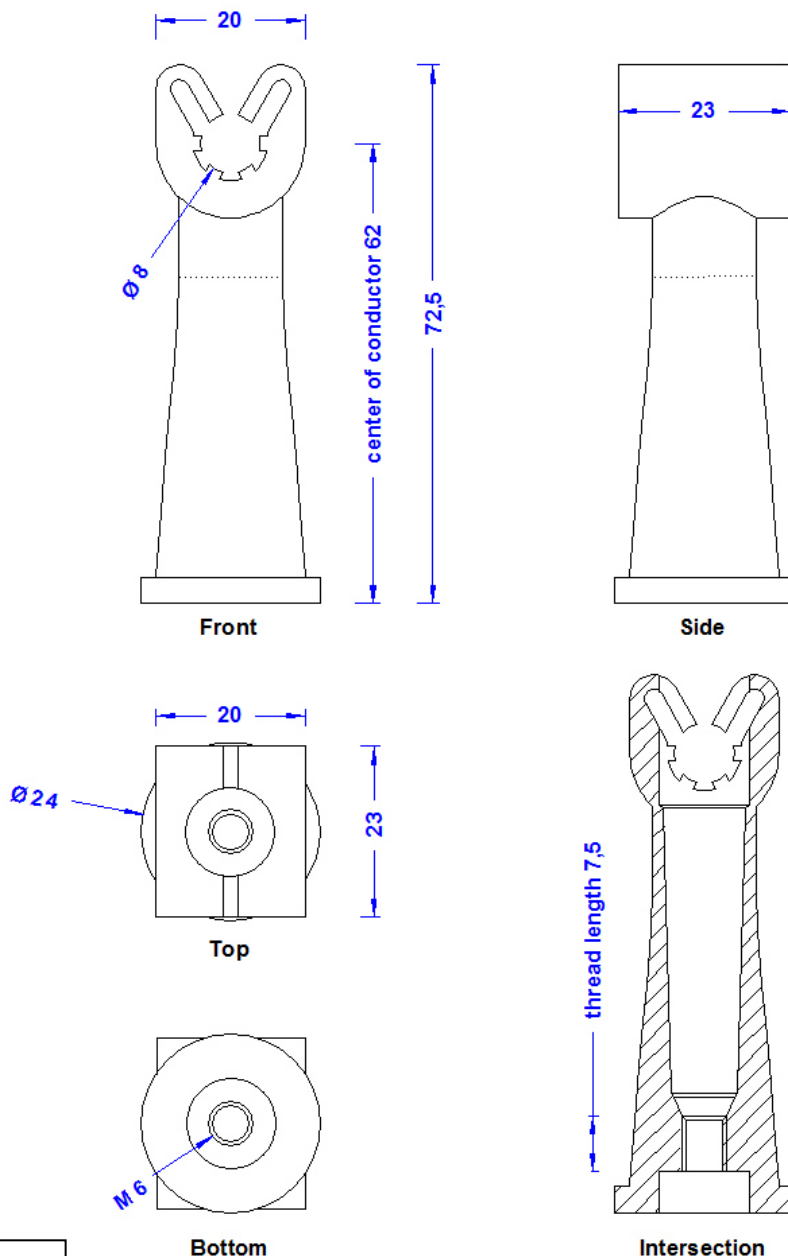


Specification	Duplo-shaft for 8mm conductor. Conductor height 60mm with thread M6. Polyamide, grey. Weight: 11,0g Reference standard: DIN EN 62561-4
Article No.	15 50 15

Customs tariff number.: 85389099



processable on the roof from -10°C till +50°C

Description	RoHS2 (Guideline 2011/65/EU) and REACH (Regulation (EG) No.1907/2006): The substance-requirements and all other requirements of these regulations are observed by this product.
Holder	Duplo-Shaft for 8mm Ø conductor. Conductor height 60 mm, thread M6, with round bottom plate, grey.
Material	Polyamid. Color No. RAL7000. UV-stabilized to the highest possible degree, cold impact resistant. Halogen-free.