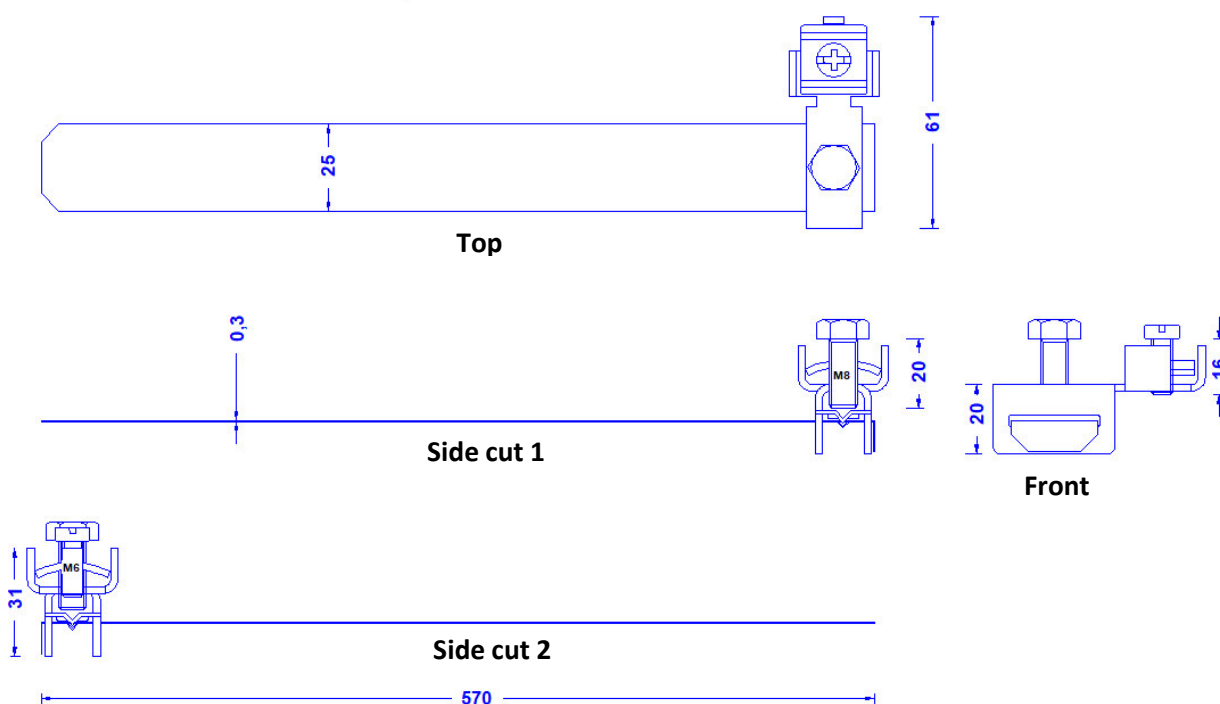
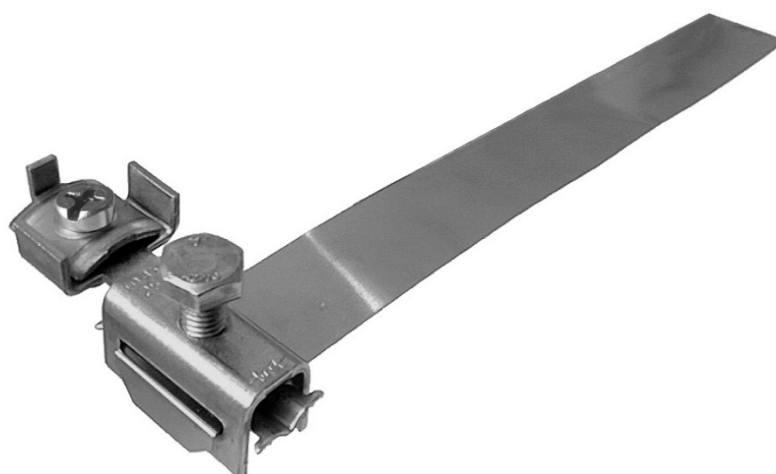


| | |
|----------------------|---|
| Specification | <p>Pipe earthing clamp for two conductors 4-25qmm with continuous adjustable stainless steel-tension band for tubes from 3/4 to 6 inch. Weight: 94g Reference standard DIN EN 62561-1</p> |
| Article no. | 53 13 10 |

Customs tariff No.: 85389099



| | |
|--------------------------------------|--|
| Description | RoHS2 (Guideline 2011/65/EU) and REACH (Regulation (EG) No.1907/2006): The substance-requirements and all other requirements of this regulations are observed by this product. |
| Clamping- and tensioning part | Out of stainless steel, for two conductors 4-25qmm |
| Tension band | Stainless steel 1.4301 25 x 3mm. |
| For tube diameter | 3/4 to 6 inch (27 – 165mm) |
| Screws (all stainless steel) | 1 x DIN603M8X20; 1 x DIN84M6X16 |