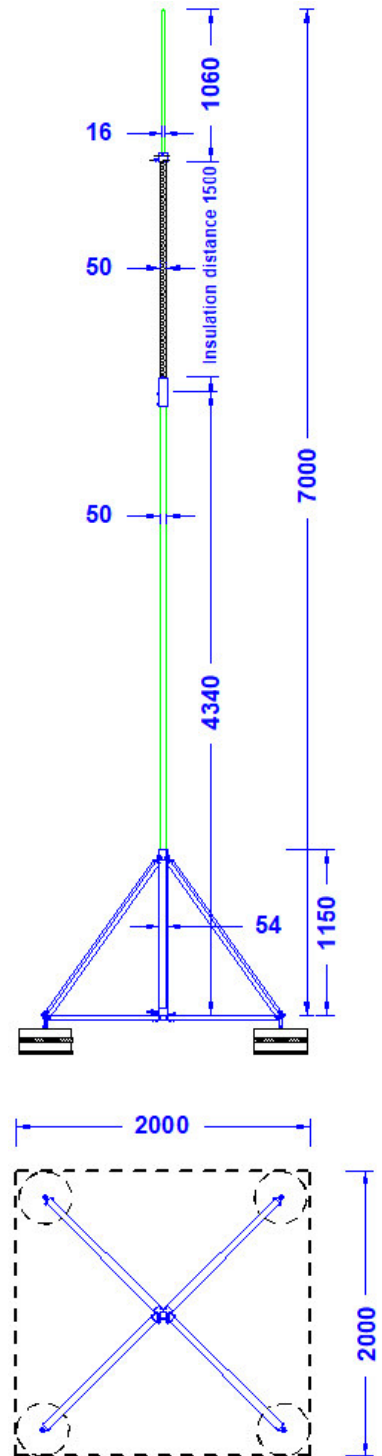


Specification	<p>Insulating air termination mast 50mm Ø two-part, composite construction (aluminum, GRP and stainless steel) for inside installation of ISCON®-cable of the company OBO Bettermann, with 4-leg hinged support made of stainless steel. With cable outlet. With 4 threaded rods made of stainless steel.</p> <p>With eight 16 kg concrete sockets.</p> <p>Height of the air termination mast: 7,0m.</p> <p>Weight: 159 kg</p> <p>Calculated for wind speed zones I - II For ground category III- IV (max. gust speed 145 km/h)</p>
Article No.	68 05 07

Customs tariff No.:
85389099

The concrete sockets and the protective plates are part of the product.



Description	Ø	Material	Length	Wind speed zone	Remarks
Mast tip	16mm	Aluminium	1,00m	<p>Wind speed zone I-II (accord. to Euro Code 1 and DIN EN1991 and DIN EN1993. At 1,5-fold safety) For ground category II - IV with max. gust speed 145 km/h. Applicable for building heights below 40m und area heights below 600m above NN. Higher buildings or areas as well as icing and self-oscillation are to be considered separately if necessary.</p>	<ol style="list-style-type: none"> All screw joints made of stainless steel. The concrete bases and the respective protective pads are not part of the product. System weight with concrete bases: 159 kg. Surface loading: 55 kg/m² Slope adjustment up to 5° is possible. Pack size: 4,5 m long Weight of the mast: 12,0 kg. Weight of the stand: 15,0 kg. Weight of one concrete socket set: 33 kg each.
Mast upper part	50x4mm	GRP-tube, light grey, UV-stabilized with 5mm wall thickness made of polyester DU with two connecting sleeves.	1,76m		
Mast lower part	50x5mm	Aluminum tube	4,34m		
2 x connecting sleeve	54x2mm	Stainless steel tube 1 4301	50mm/200mm		
4 x threaded rod	16mm	Stainless steel 1 4301	Je 500mm		
Stand segments: 4 x support segment 4x foot segment		Support segments: stainless steel 1 4301 Foot segments: stainless steel 1 4301:	Stützsegmente: 1525mm Fußsegmente: 1100mm		
Stand central tube	54x1,5mm	Stainless steel tube 1 4301	1115mm		