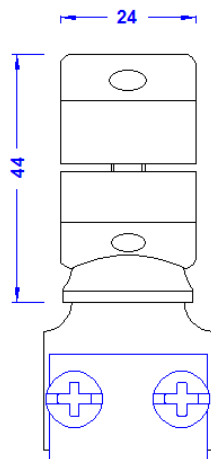
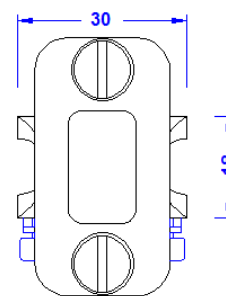


Specification	Saddle clamp with nylon clamp 23mm Ø, for the fixation on steel sheets and seams till 8mm. Galv. steel. Weight: 98g Reference Standard DIN EN 62561-1
Article No.	68 06 09

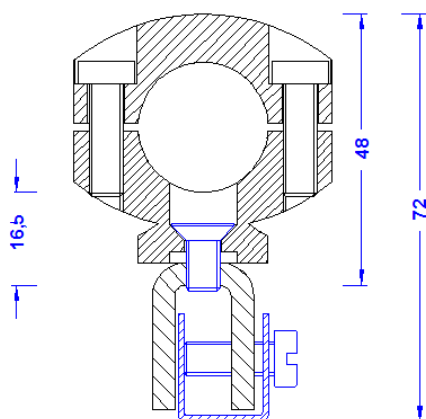
Customs tariff No.: 85389099



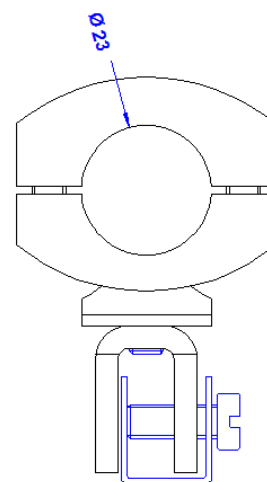
Side



Top



Cross Section



Front

Description	RoHS2 (Guideline 2011/65/EU) and REACH (Regulation (EG) No.1907/2006): The substance-requirements and all other requirements of these regulations are observed by this product.
Material of the clamp	Polyamide. Color grey. UV-stabilized to the highest possible degree, cold impact resistant. Halogen-free.
Material clamp. bridge / base plate	Galv. steel 4,5mm/ Galv. steel 2,5mm
Material of the clamping part	Stainless steel 1 4301 1,0mm
Screw connection	2xDIN84M6X20 out of polyamide; 1xDIN933M8X20 stainless steel.
Clamping range (seam)	till 8,0mm
Conductor leading	23mm Ø