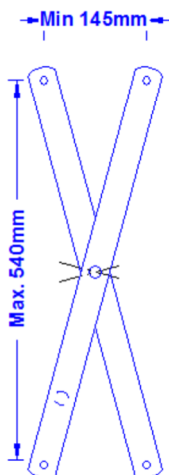
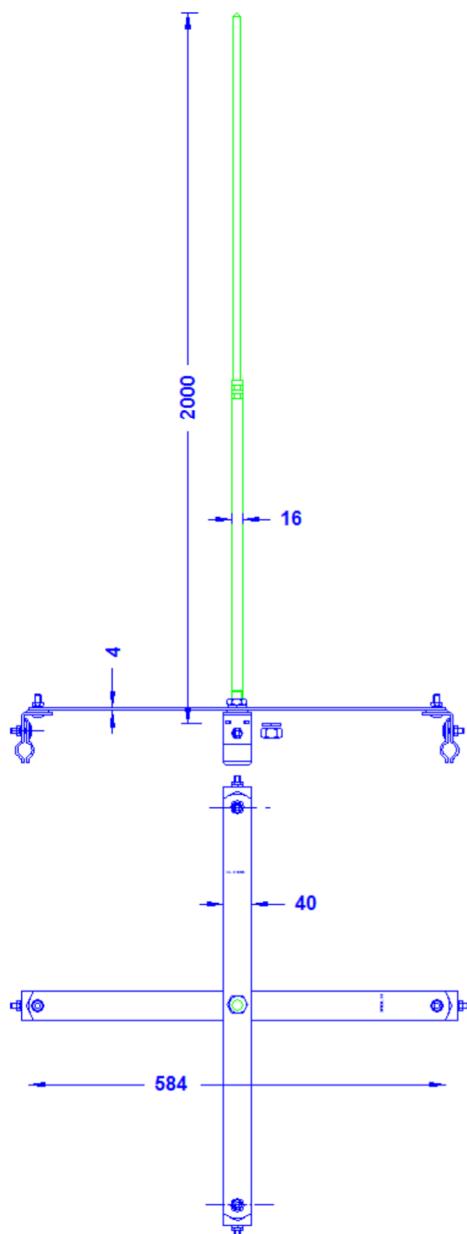


Specification	VA cross support for Kalzip folds with four stainless steel clamps and a 2,0 m long interceptor rod. Aluminum. Weight: 3,0 kg
Article No.	48 61 23

Customs tariff No.: 85389099

Installation possible
with a roof pitch of up
to 15°.



Description	RoHS2 (Guideline 2011/65/EU) and REACH (Regulation (EG) No.1907/2006): The substance-requirements and all other requirements of this regulations are observed by this product.
Clamps: Type and screw connection	4 x 2-part V-shaped Kalzip clamp out of stainless steel. Screw: DIN603M8x25; Nuts: DIN934M8; spring washer 8. All stainless steel.
Sheet-metal roof support: Material and screwing (all stainless steel)	Stainless steel band / Screw: DIN933M16X20; spring washer: DIN127.
Interceptor rod	1,0m aluminum 16mm Ø; 1,0m aluminum 10mm Ø / Nut: DIN934M16; spring washer: 16mm. All stainless steel.