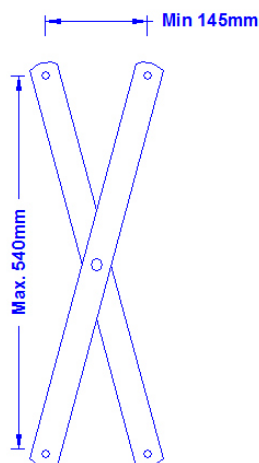
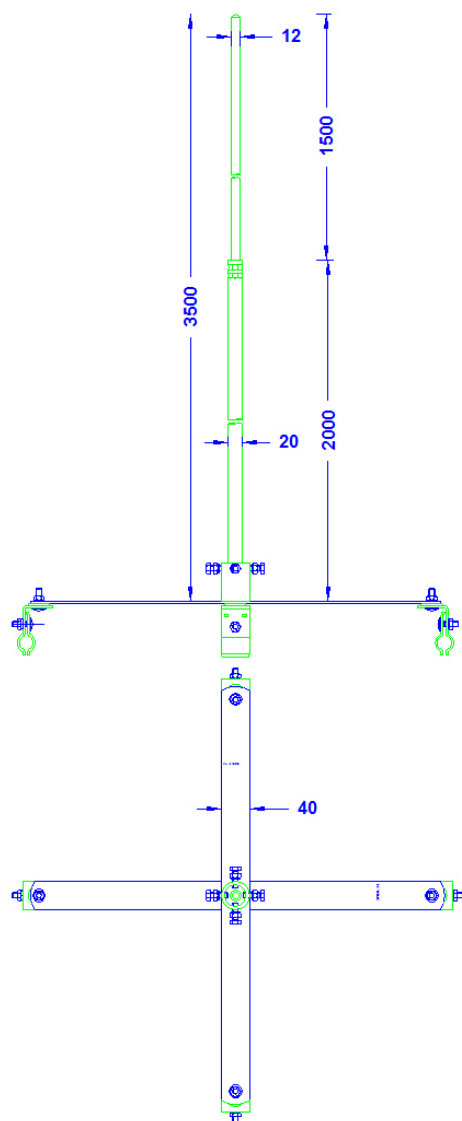


Customs tariff No.: 85389099

<b>Descript. of the article</b>	Stainl. steel cross stand for Kalzip seams with four aluminum clamps and one air termination rod 3,5 m made of aluminum. System weight: 5,7 kg
<b>Article No.</b>	<b>48 61 53</b>



<b>Description</b>	
<b>Clamps: Type of screw and connection</b>	4 x 2-part V-shaped Kalzip clamp made of Aluminum. Screw: DIN603M8x25A2; nut: DIN934M8A2; spring washer 8 VA.
<b>Metal roof support: Material and connection</b>	Stainl.steel strip / screw: DIN933M16X20A2; spring washer: DIN127VA
<b>Central tube: Material and connection</b>	Aluminum. 50mm Ø / screws: 4 x DIN933M8X25A2; nuts: 4 x DIN934M8A2; spring washer 4 x DIN127A2.
<b>Air termination rod: Material</b>	2 meter Aluminium 20mm Ø 1,5 meter Aluminium 12mm Ø.