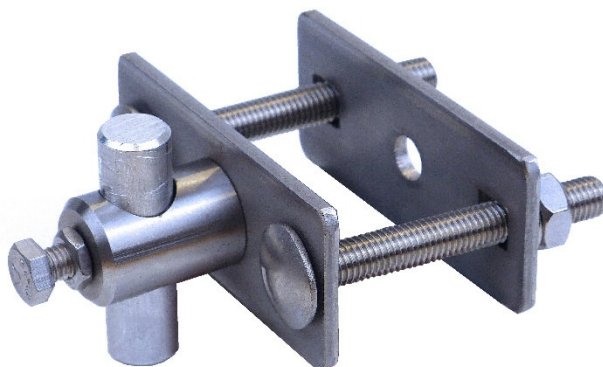
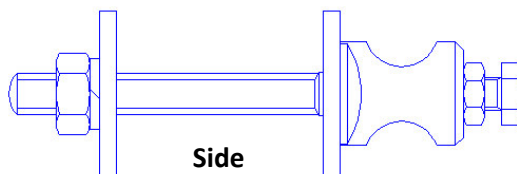
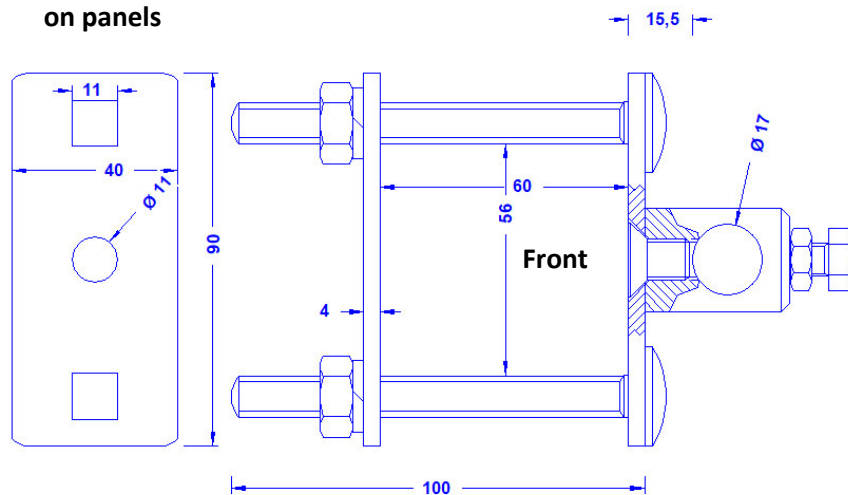


Specification	Handrail clamp for securing 14–16 mm pipes/rods to handrail tubes up to 70 mm in diameter. Spacing approx. 20mm. Stainless steel. Weight:820 g Reference standard: DIN EN 62561-1
Article No.	48 07 03

Customs tariff No.: 85389099



**Details of screw-
on panels**



Description	RoHS2 (Guideline 2011/65/EU) and REACH (Regulation (EG) No.1907/2006): The substance-requirements and all other requirements of these regulations are observed by this product.
Material of the holder	Stainless steel 1.4301
For rod/Conductor	14 - 16mm Ø
Screw connection (all stainless steel)	Screws: 2 x DIN603M10x100; 1 x DIN7991M10x16; 1 x DIN933M8x16 Nuts: 2 x DIN934M10; 1 x DIN439M8FLAT Spring washers : 2 x 10mm.