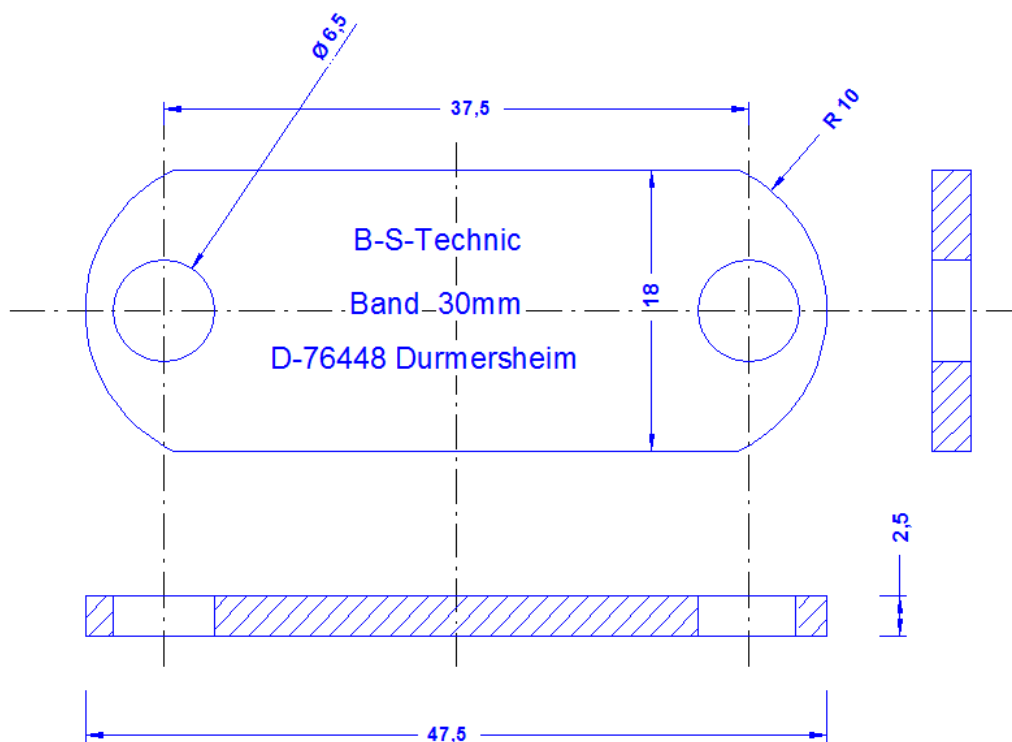


Specification	Tape holder upper part out of stainless steel. Weight: 14g Reference standard: DIN EN 62561-4
Article No.	13 22 10

Customs tariff No.: 85389099



Description	RoHS2 (Guideline 2011/65/EU) and REACH (Regulation (EG) No.1907/2006): The substance-requirements and all other requirements of these regulations are observed by this product.
Tape holder upper part	Out of stainless steel 1.4301. for tape till 30mm. With two holes 6,5mm left and right.