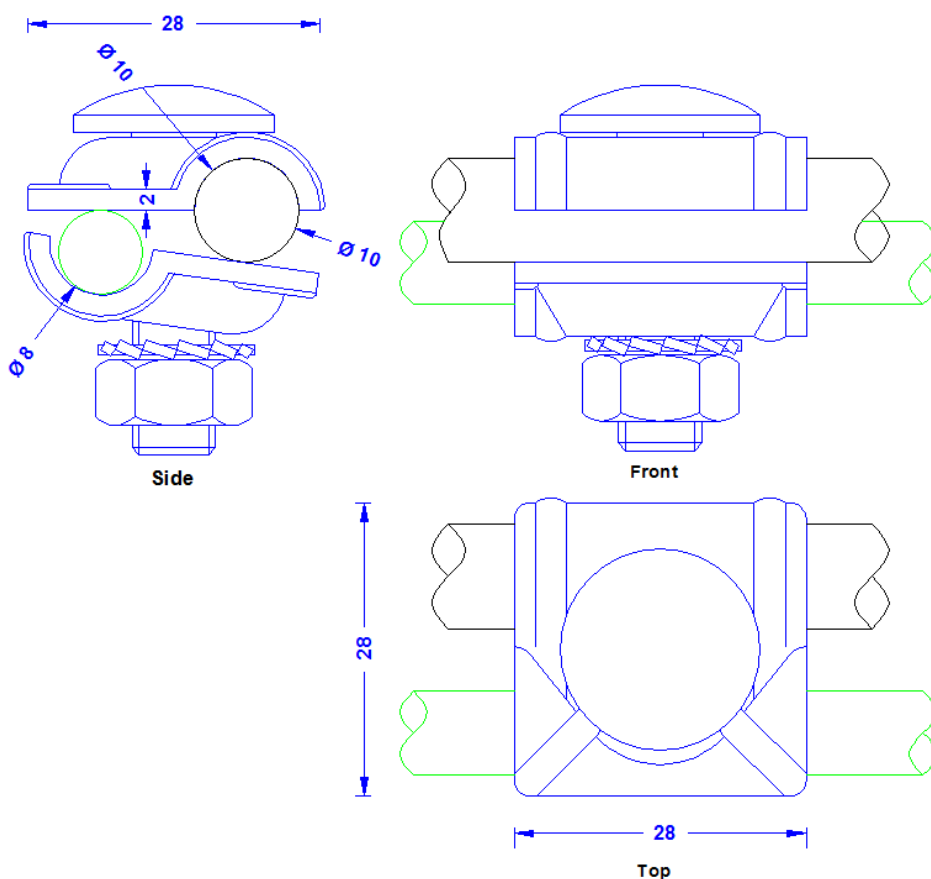


Specification	Mini multi-purpose clamp for 6-8mm conductor. Stainless steel (1 4301). Weight: 47g Reference standard: DIN EN 62561-1
Article No.	42 06 10

Customs tariff number.: 85389099



Used for example as a T-, parallel or cross-clamp.

Description	RoHS2 (Guideline 2011/65/EU) and REACH (Regulation (EG) No.1907/2006): The substance-requirements and all other requirements of this regulations are observed by this product.
Material of the clamp	Stainless steel 1 4301, 2mm.
Conductor leading	6-8mm
Screwing (all stainless steel)	DIN603M8X30 , DIN6798A-8,4, DIN934M8